

Technical Specification

P/N:DS-10100	
Frequency Range(GHz)	0.1 – 1.0
Gain(dBi)	6 Typ.
Polarization	Linear
3dB Beamwidth(deg)	E Plane: 78 - 57
	H Plane: 150 - 130
VSWR	1.5:1 Typ. / 2.0:1 Max.
Output	N-Female
Average Power(W CW)	300
Peak Power(KW)	3
Material	Al
Size(mm)	1555 x 73 x 1408
Net Weight(Kg)	2.50 Around

P/N:DS-10100C	
Frequency Range(GHz)	0.1 – 1.0
Gain(dBi)	6 Typ.
Polarization	Linear
3dB Beamwidth(deg)	E Plane: 78 - 57
	H Plane: 150 - 130
VSWR	1.5:1 Typ. / 2.0:1 Max.
Output	N-Female
Average Power(W CW)	300
Peak Power(KW)	3
Material	Al
Size(mm)	1555 x 110 x 1400
Net Weight(Kg)	2.70 Around

P/N:DS-10100E	
Frequency Range(GHz)	0.1 – 1.0
Gain(dBi)	6 Typ.
Polarization	Linear
3dB Beamwidth(deg)	E Plane: 78 - 57
	H Plane: 150 - 130
VSWR	1.5:1 Typ. / 2.0:1 Max.
Output	N-Female
Average Power(W CW)	300
Peak Power(KW)	3
Material	Al
Size(mm)	1554.6 x 85 x 1601
Net Weight(Kg)	3.50 Around

AINFO Inc.

Page 1 of 7

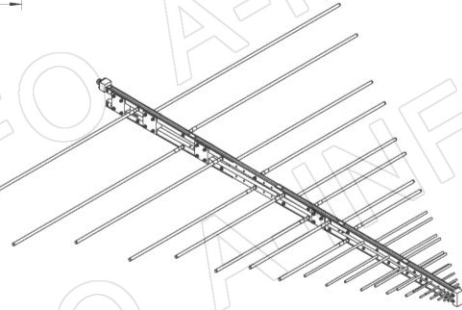
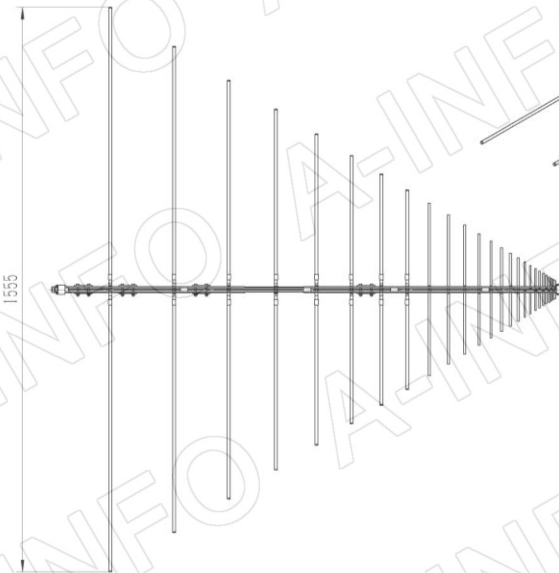
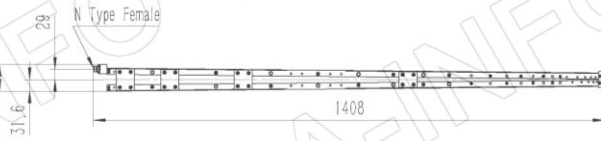
China(Beijing): Tel: (+86) 10-6266-7326,
China(Chengdu): Tel: (+86) 28-8519-2786,
USA: Tel: (+1) 949-639-9688,

(+86) 10-6266-7327 Fax: (+86) 10-6266-7379
(+86) 28-8519-3044 Fax: (+86) 28-8519-3068
(+1) 949-639-9608 Fax: (+1) 949-639-9670

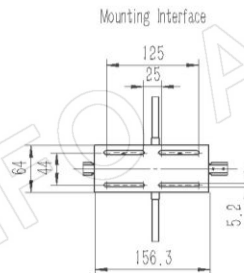
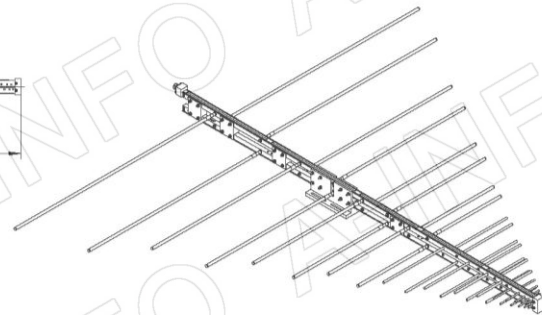
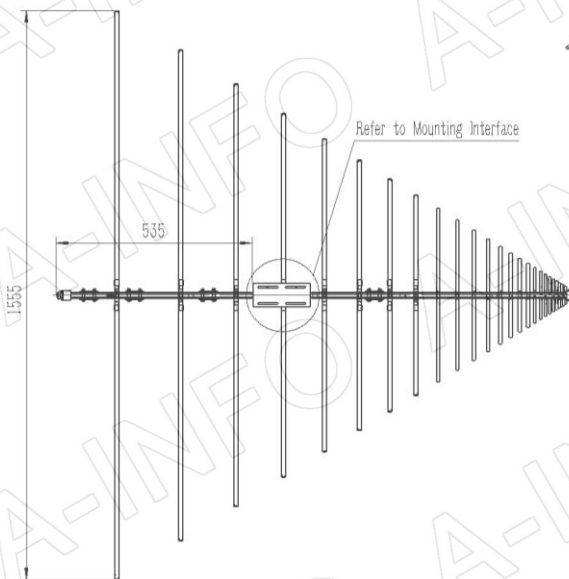
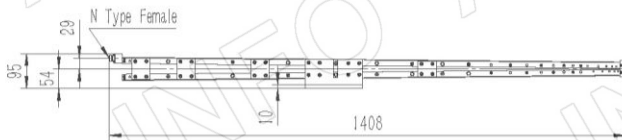
Website: www.ainfoinc.com
Email: sales@ainfoinc.com

Outline Drawing (Size: mm)

DS-10100 (P/N: DS-10100)



DS-10100 with Mounting Bracket (Option, P/N: DS-10200-MB)



AINFO Inc.

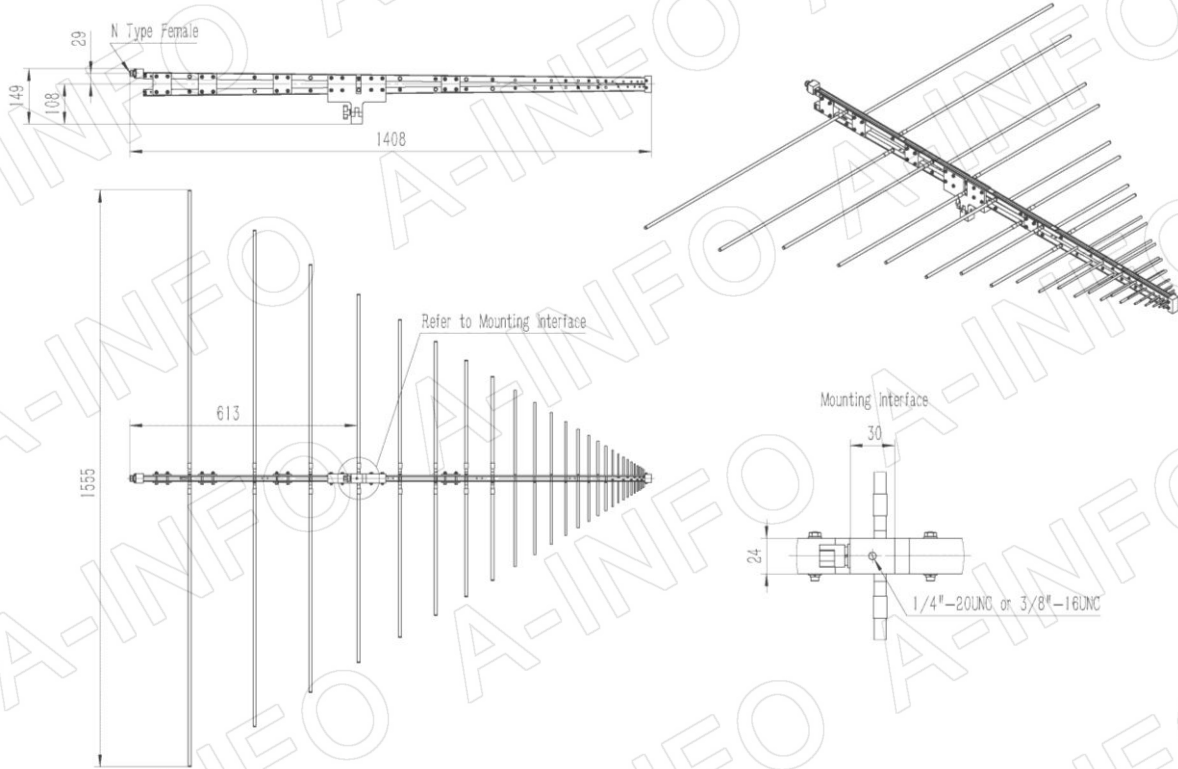
Page 2 of 7

China(Beijing): Tel: (+86) 10-6266-7326,
China(Chengdu): Tel: (+86) 28-8519-2786,
USA: Tel: (+1) 949-639-9688,

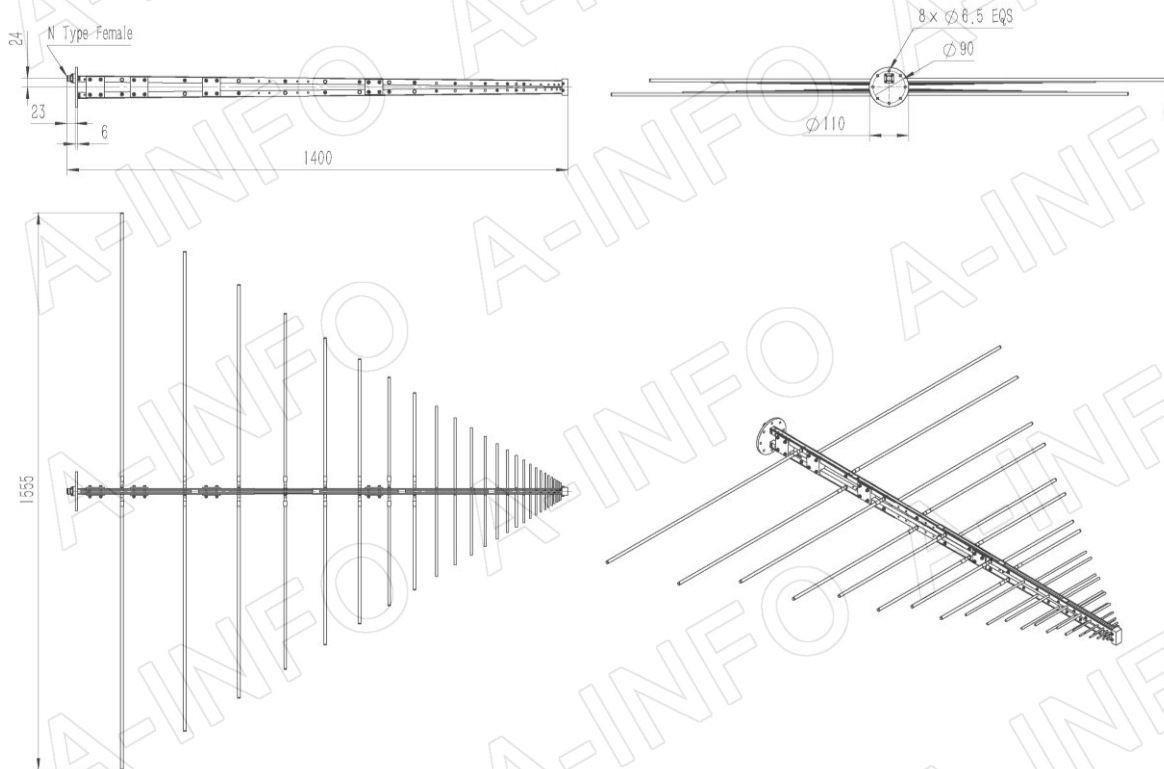
(+86) 10-6266-7327 Fax: (+86) 10-6266-7379
(+86) 28-8519-3044 Fax: (+86) 28-8519-3068
(+1) 949-639-9608 Fax: (+1) 949-639-9670

Website: www.ainfoinc.com
Email: sales@ainfoinc.com

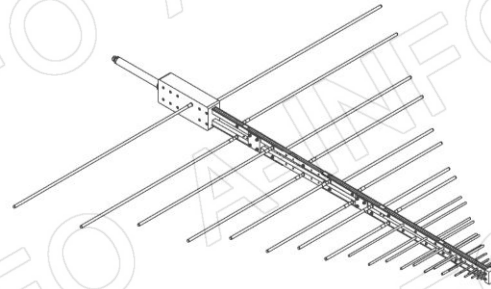
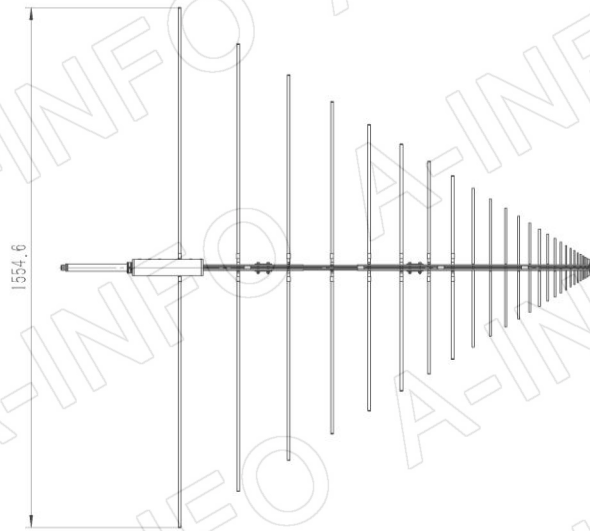
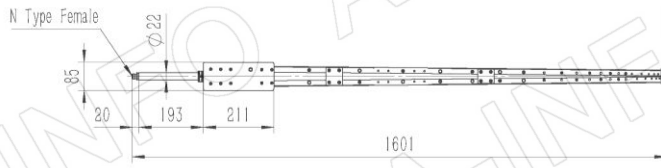
DS-10100 with Mounting Bracket for Tripod Application (Option, P/N: DS-10200-MBA)



DS-10100C (P/N: DS-10100C)

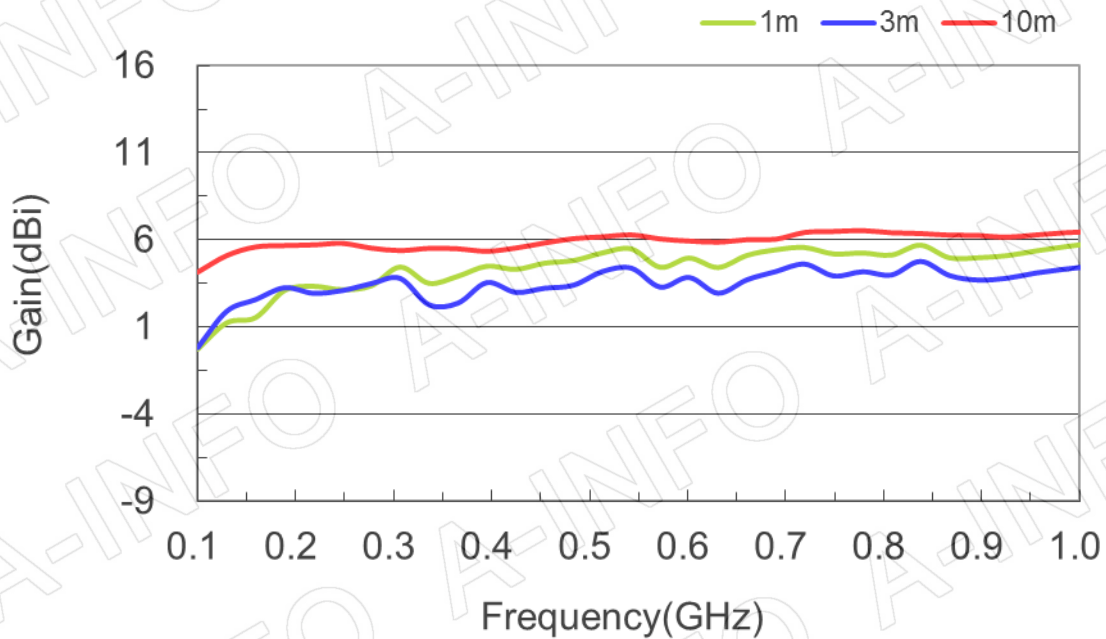


DS-10100E (P/N: DS-10100E)

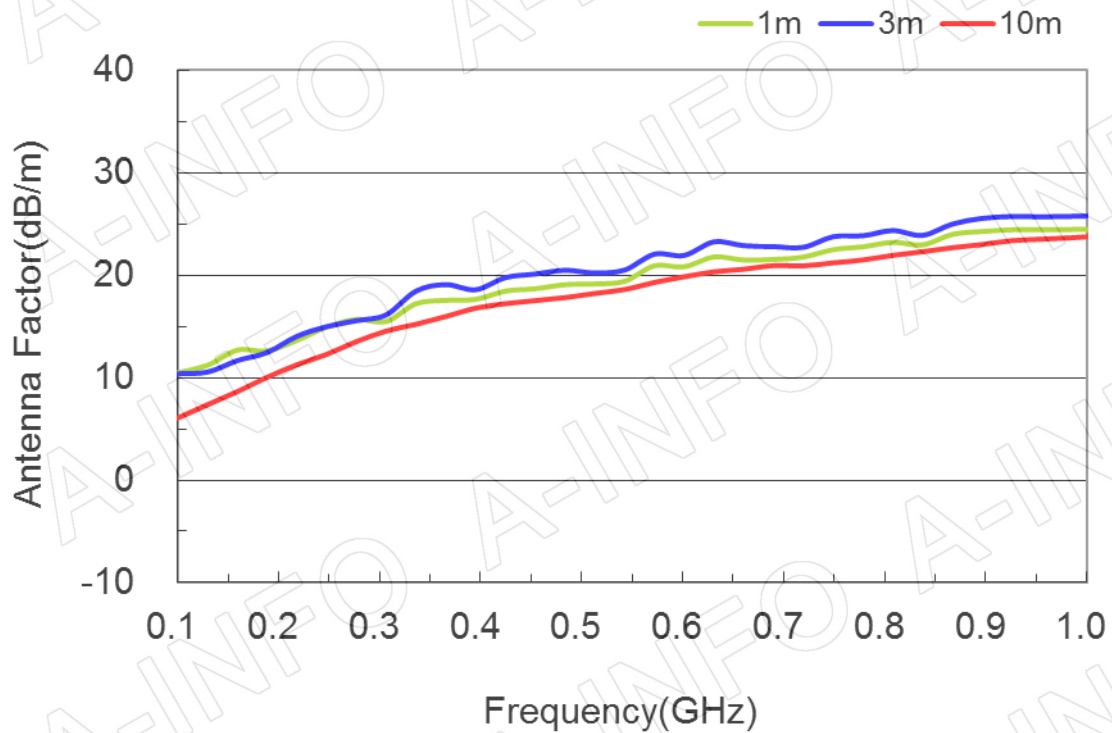


Test Results

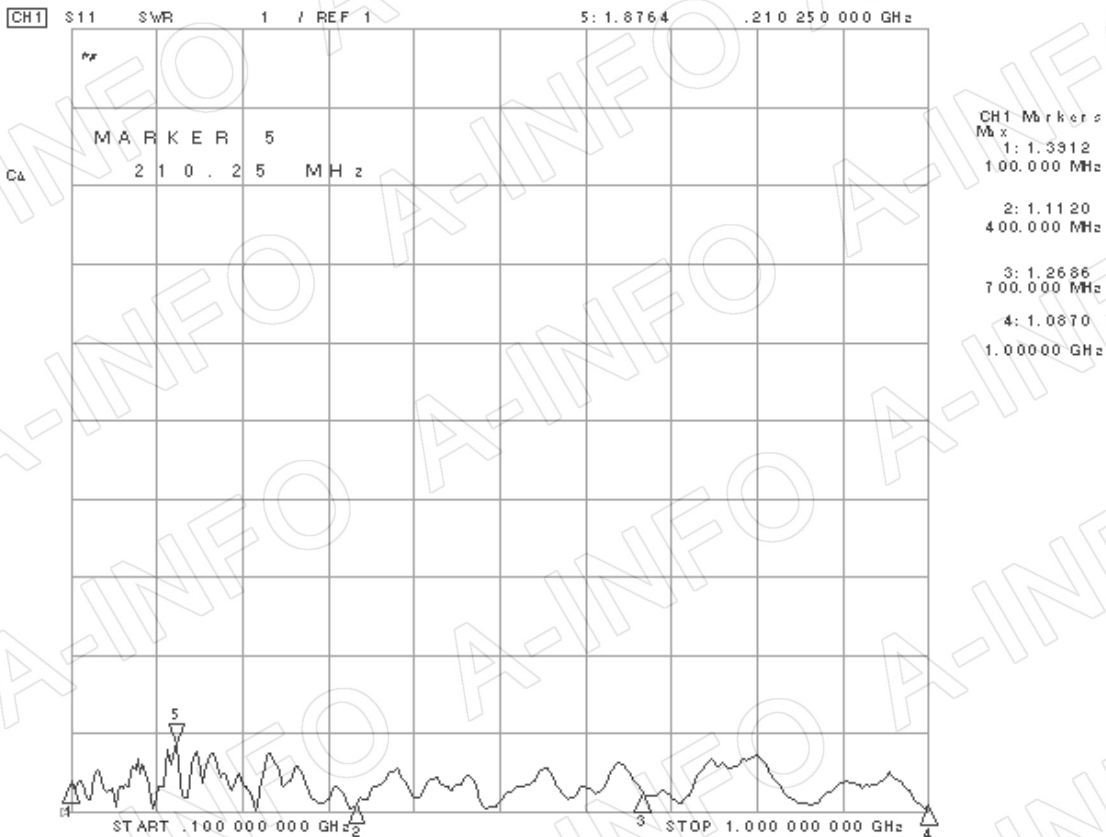
1. Gain



2. Antenna Factor



3. VSWR



4. Pattern

